

DTR500 Solar Radiation and Precipitation Shields



The Vaisala Solar Radiation Shield Series DTR500 are available in either a 5-, 9- or 12-plate models.

The Vaisala Radiation Shield Series DTR500 are solar radiation and precipitation shields supporting humidity probe installations in outdoor applications.

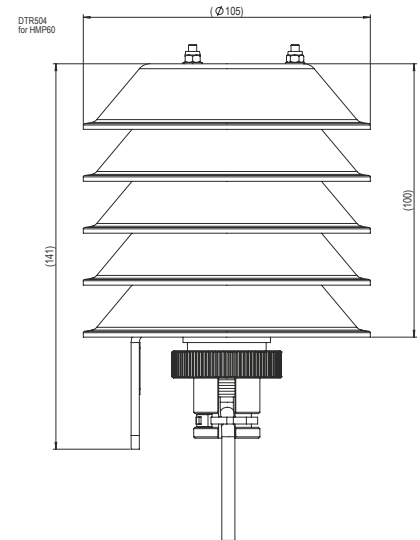
Shield Protects Sensor

The maintenance-free DTR500 series shields protect the humidity and temperature sensors from solar radiation and precipitation. They provide excellent ventilation while blocking both direct and reflected solar radiation.

The special plastic used in the plates has excellent thermal characteristics; the white outer surface reflects radiation; the black inside absorbs accumulated heat. The shields can be easily installed on either a vertical pole, horizontal beam, or a flat surface.

The DTR Shields can be used with the following Vaisala products:

- **DTR502(A)** with adapter 221072 for Vaisala HUMICAP® Humidity and Temperature Probe HMP155's additional temperature sensor
- **DTR502B** for Vaisala HUMICAP® Humidity and Temperature Transmitters HMT333, HMT337, HMT363 and HMT367 and Vaisala Combined Pressure, Humidity and Temperature Transmitters PTU303 and PTU307
- **DTR503(A)** for Vaisala HUMICAP® Humidity and Temperature Probe HMP155
- **DTR504(A)** for Vaisala HUMICAP® Humidity and Temperature Transmitters HMT120/130, Vaisala HUMICAP® Humidity and Temperature Probe HMP110 and Vaisala INTERCAP® Humidity and Temperature Probe HMP60



DTR504 for HMP60, HMP110 and HMT120/130 remote probes. Refer to drawings of DTR502B for dimensions of DTR504A pole mast installation accessory.

Features/Benefits

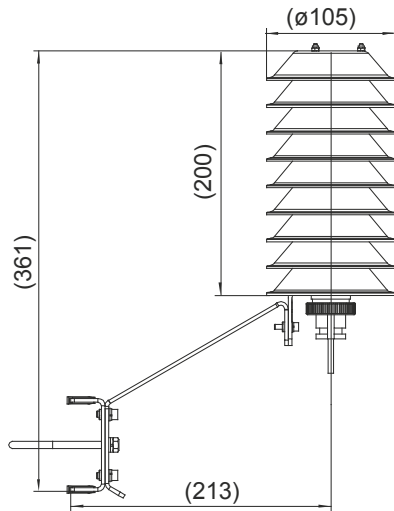
- Protects temperature and humidity probes from scattered, as well as, direct solar radiation and rain.
- Maintenance-free
- Naturally ventilated
- Installs easily on a vertical pole, horizontal beam or flat surface
- Suitable for a wide range of applications
- Choice of shields and mounting accessories

Technical Data

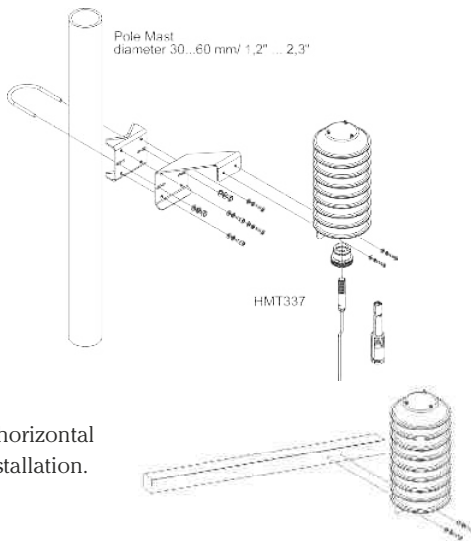
Dimensions

Dimensions in mm.

DTR502B
for HMT333, HMT337, HMT363, HMT367, PTU303 and PTU307



DTR502B pole mast installation.

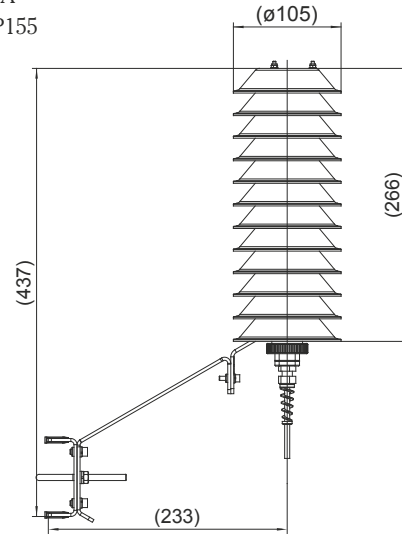


DTR502 horizontal beam installation.

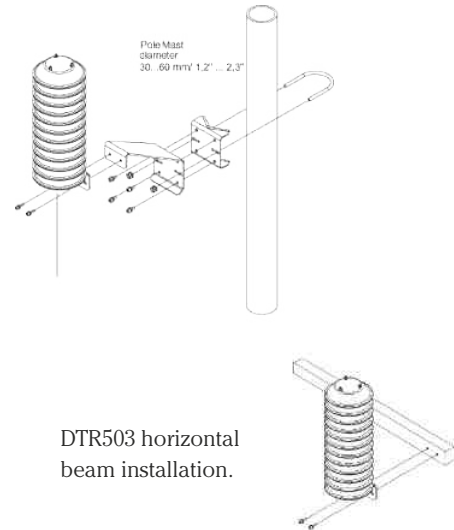
Dimensions

Dimensions in mm.

DTR503A
for HMP155



DTR503A pole mast installation.



DTR503 horizontal beam installation.

- DTR502/503/504 include only horizontal beam assembly
- DTR502A/503A/504A include also pole mast installation kit
- DTR502B include also product specific adapter